

PK-AS User guide

1. Description of the PK-AS scope

1.1. Intention of the scope

The PK-AS scope is intended for targeted shooting with the hunting scope.

The scope allows fast and sharp shooting at the different temperature conditions from -20 to + 40°C (-4 to 104°F)

1.2. Specification:

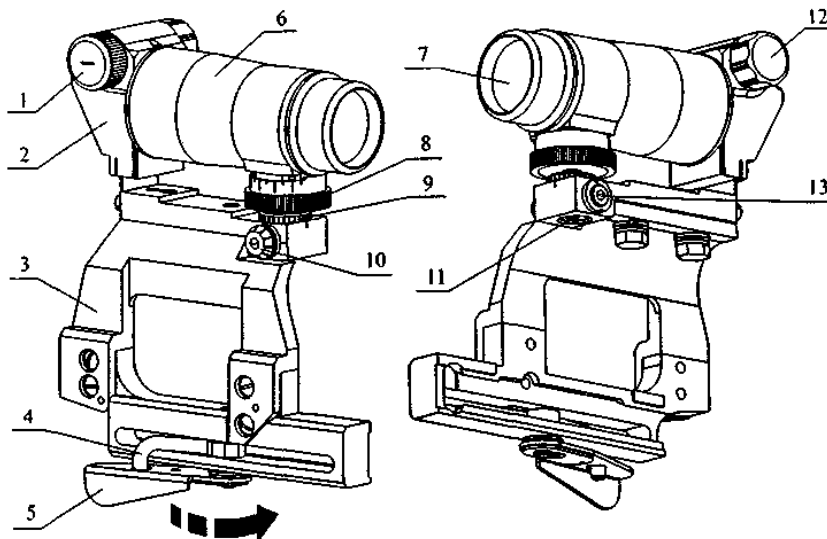
- visible magnification.....1
- field of view.....13°
- power source (2 batteries of SR 44 type).....3 V
- size.....140x52x170 mm
- weight.....0.58 kg (1,3 lb)

1.3. The construction of the PK-AS scope is shown on the picture 1.

The scope consists of a tube with mechanical adjustment of the shooting angle .

The main part of the scope is a metal body 6, the lens 2, the battery compartment 1, eye piece 7 and mechanical adjustment knobs 8, 9, 10 and 11.

The shooting angle adjustment is made by turning the dial 8 to combine the necessary position of the scale with the mark on the scope's body. The scale is indicated in the angular minutes.



pic. 1

Picture 1 – the construction of the scope:

- 1- battery compartment cap
- 2- lens
- 3- scope mount
- 4- lever of the mount
- 5- handle of the lever
- 6- scope body
- 7- eye piece
- 8- shooting angle adjustment dial
- 9- scale of the vertical adjustment
- 10- screw of the reticle horizontal adjustment
- 11- screw of the reticle vertical adjustment
- 12- reticle illumination switch
- 13- fixing screw

The vertical adjustment of the reticle is made by turning the screw 11 using the scale 9. One scale mark adjusts the reticle vertically for 5 cm at the 100m shooting distance.

The horizontal adjustment of the reticle is made by turning the screw 10 with the loosen screw 13 (1 or 2 turns). One click (gap mark) adjusts the reticle horizontally for 7.5 cm at the 100m shooting distance.

The installation of the scope to a rifle is made by fixing the mount 3 onto a side rail of the rifle.

Switching the illumination ON and brightness adjustment is made by the switch 12.

2. Scope preparation and work

2.1.1. Inserting or changing batteries

Open the battery compartment cap 1.

Remove old batteries and insert the new ones with the correct polarity shown on the cap 1.

Close and tighten the battery compartment cap.

2.1.2. Installation on the rifle

The scope should be installed on the side rail of the rifle. The distance from the eye piece and the eye should normally be between 114 and 124 mm (4,5 to 5 inches).

To install the scope:

- pull the handle of the lever in the direction shown by arrow
- put the mount on the side rail and move the scope forward to the end of the rail. Fix the mount by pushing the handle of the lever.

2.1.3. Scope adjustment

- install the rifle with the scope on a shooting stand
- place the target at the needed distance (e.g. 100m)

- turn the reticle illumination ON
- set the rifle at the target center by using the iron sight on the rifle
- set the shooting angle adjustment dial 8 to “0”
- if the center of the target is not combined with the scope reticle loose the screw 13 for 1 or 2 turns and keeping the dial 8 at the “0” position, turn the screws 10 and 11 until the scope reticle is set at the center of the target. Then tighten the screw 13.
- Make 3-5 control shootings
- repeat adjustment steps if necessary

2.2. Using the shooting angle adjustment dial 8

To compensate a bullet deviation at the long distance shooting from the target use the shooting angle adjustment dial 8.

After adjustment the scope according to 2.1.3 try to shoot at different distances (e.g. 200m, 400m, 800m, etc)

Turning the shooting angle adjustment dial 8 try to reach the best result at all distances.

Knowing the settings of the dial 8 at different distances you may set the dial 8 to the proper position according to the distance you shoot.

For further questions or additional information please contact:

East Wave Products Inc. 532 Montreal Road, Suite 457, Ottawa, ON, K1K 4R4, Canada

E-mail: support@eastwave.ca Phone: +1 (613) 745-6097

Thank you for shopping with East Wave Products Inc. - The official worldwide dealer of the Manufacturer!