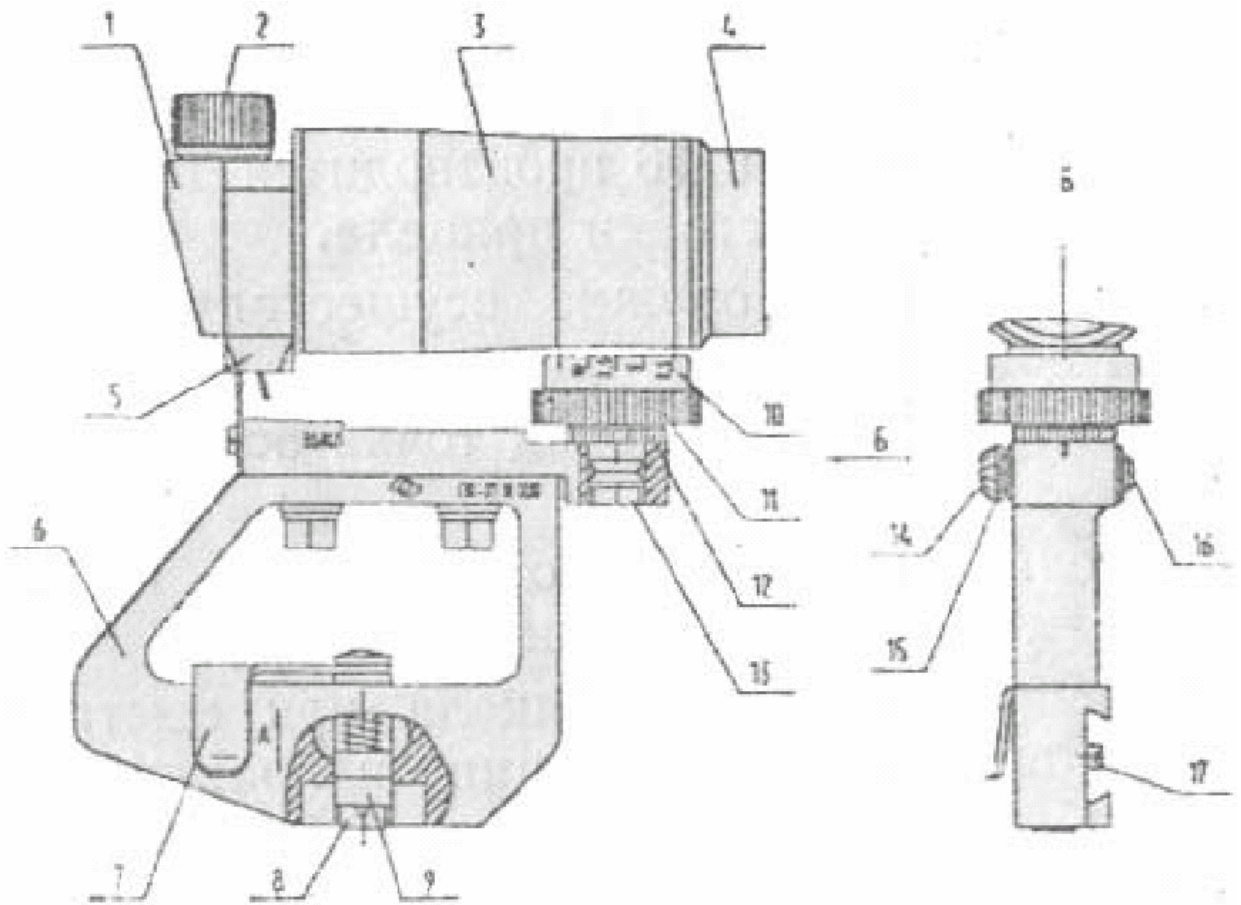


PK-AS Dual Black Dot, Red Dot Tactical Combat Sight

The PK-AS, an advanced version of the PKS-01, is the newest in tactical optics designed specifically for the combat operations of the Russian Special Forces. You will find it on the elite units of the Russian MVD; police, Spetznaz, OMON and others. State-of-the-art technology makes it the premier collimator optic in the Russian arsenal. It not only fills the role of the traditional red dot as a CQB short range/fast acquisition sight, but also has unique features designed specifically for longer range combat shooting. It boasts a unique ability to facilitate single shot kills out to 400 meters when used with the AK-74. It is rare that such advanced technology is available to civilians, especially to foreigners. Using the newest machining techniques, the quality of this amazing sight is equal to US military optics which cost many times more. It's fully coated prismatic lens system provides a remarkable, high contrast, wide angle field of view allowing for fast acquisition of moving and spaced targets. Its most unique feature is its state-of-the-art black dot-red dot operation. Under normal daylight conditions, a precise 1 MOA black dot enclosed in a simple elliptical range-finding circle is always visible without the use of the battery. When needed, a flip of the switch activates a 1.5 MOA red dot. This flexibility allows the PK-AS round the clock effectiveness in all environments. This dual functioning is available in no other collimator sight. Another great feature is the exceeding ease of making alignment adjustments using its indexed ballistic cam. This thumbwheel style range turret is calibrated in equal 2 MOA increments which makes it easy to use the sight with any caliber rifle. The non-magnification design allows for both-eyes-open shooting eliminating eyestrain. You have an unlimited field of view and maximum ability to register incoming targets. The precision dot system combined with the striking field of view produced by the high quality lens system provides far superior accuracy at distances equal to and exceeding those capable with iron sights. The advanced elliptical range finder accurately quotes distance.

Magnification	1x
Field of View	14 degree
Field of View at 1000 m	Unlimited
Objective Aperture	40 mm
Eye Relief	120 mm
Eye Relief Diameter	16 mm
Waterproof	Yes
Reticle	Black Dot/Red Dot
Dot Size	1 MOA/1.5 MOA
Rangefinding Capability	Yes
MOA at 100 m	2 MOA
Illuminated Reticle	Red
Mount Type	AK/SKS/Weaver
Power Source	3V (2 x D-357, SR 44)
Operating Temperature	+40 to -40oC
Overall Dimensions	123x42x122 mm
Weight	.41 kg



Picture A
(number references in the text of this manual are to the numbering in this Picture A)

Using Your Scope

The PK-AS uses two D-357/ SR 44 button batteries for a total of 3V of the power. To install/replace the batteries you first must open the battery compartment (#2 in the diagram) by turning it clockwise. Place two of D-357 button batteries with both aligned in the proper (same) polarity (+/-) and then replace the battery compartment cover. Be sure they are installed with the proper polarity alignment and always use fresh batteries.

Mounting Your Scope

The PK-AS comes with one of three mounts, the AK version, the SKS/SVD version or the Weaver version. Use the simple steps below to install the mount and be sure to check the Mounting Info section of our site for our mount tightening instructions if you need to tighten the mount.

Proceed as follows:

- Open the locking lever (#7) by pushing it slightly upwards and rotating it counter-clockwise.
- From the rear of the rifle receiver, align the scope mount with the built-in mounting rail and slide the scope all the way forward until it stops fully forward and snug against the rail
- Close the locking lever (#7) by rotating it counter-clockwise all the way, pushing it slightly upwards(A) during the last 1/8" (you'll feel it tighten as it closes)
- If the scope fits the rifle securely, it is properly mounted
- If the locking lever can not be closed with reasonable amount of force or if the Sight does not fit the rifle securely, the locking clamp assembly has to be adjusted. If you need assistance loosening or

tightening the locking clamp assembly read the directions below or contact www.eastwave.ca and www.eastwavescope.com for additional information.

Locking Clamp Adjustment

Locate the locking clamp assembly, (see picture on the left). The locking assembly consists out of the locking rail (1) round adjustment nut (2), spring (3) and the locking lever (4). The round nut controls the tightness of the locking mechanism. To adjust the clamp, turn the scope up side down, presses down and hold the locking rail (1) with the thumb of your left hand. With your right hand adjust the nut (2) by turning it. Turn the nut clockwise to tighten the mount and counterclockwise to loosen it up.

Windage and Elevation

Range adjustments are easily and quickly made via a manually operated indexed ballistic cam. This thumbwheel style range turret is calibrated in equal 2 MOA increments which makes it easy to use the sight with any caliber rifle. Upon initial installation, coarse adjustments for both windage and elevation, if needed, can be easily made via indexed Allen-type adjusting nuts. You need to use 3.5mm Allen wrench tool for this adjustment.



Locking Nut



Windage



Elevation

**For further questions or additional information please contact:
East Wave Products Inc. 532 Montreal Road, Suite 457, Ottawa, ON, K1K 4R4, Canada
E-mail: support@eastwave.ca Phone: +1 (613) 745-6097**

Thank you for shopping with East Wave Products Inc. - The official worldwide dealer of the Manufacturer!