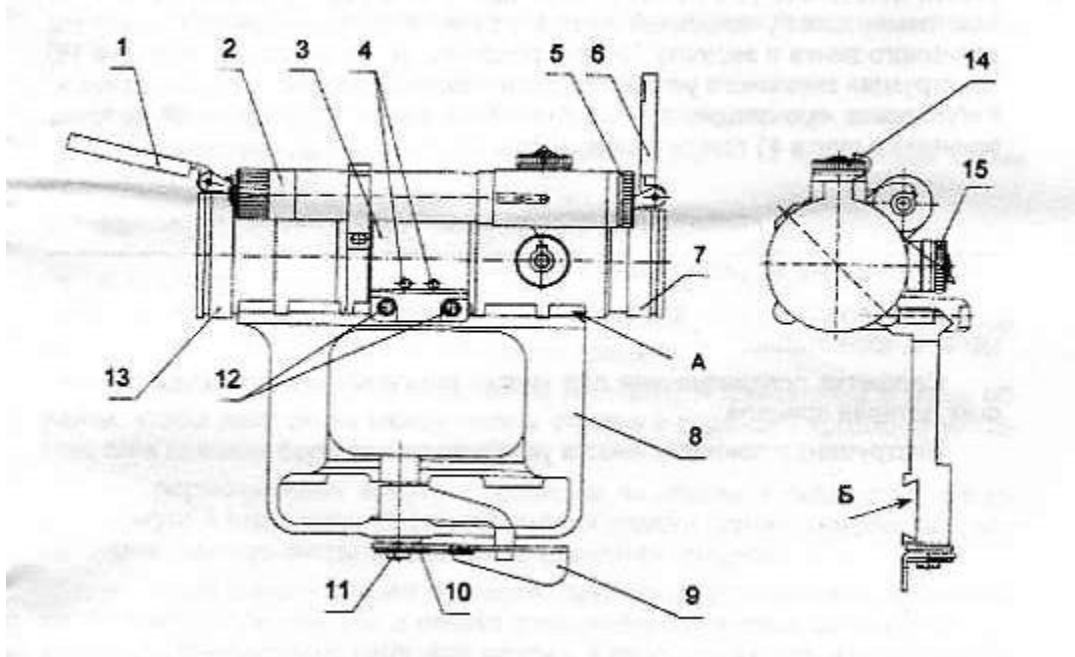


Short Manual for PK-01V Red Dot scope



- 1 - front cap
- 2 - battery compartment cap
- 3 - mount
- 4 - screw
- 5 - switch
- 6 - rear cap
- 7 - cap mount
- 8 - side mount
- 9 - lever
- 10 - lock
- 11 - tightening screw
- 12 - screws
- 13 - cap mount
- 14, 15 - turrets

Powering the scope

1. Unscrew the batteries compartment cap 2 and insert batteries using the correct polarity. The scope uses two AAA batteries (2x1.5V=3V)
2. Tighten the cap 2.
3. Using the switch 5 set the necessary brightness of the red dot . The switch 5 has 10 brightness positions (0 to 9). Positions 0 and 9 are OFF. Between them there are eight levels of brightness.

Red dot adjustment

For the red dot position adjustment use the turrets 14 and 15. Turrets are closed with caps. Unscrew the caps and adjust the red dot vertically and horizontally then screw the caps back. The turret 14 moves the red dot horizontally (left to right) and the turret 15 adjusts the red dot vertically.

Scope mount

The scope has a standard AK side mount.

For further questions or additional information please contact:

East Wave Products Inc. 532 Montreal Road, Suite 457, Ottawa, ON, K1K 4R4, Canada

E-mail: support@eastwave.ca

Phone: +1 (613) 745-6097

**Thank you for shopping with East Wave
Products Inc. - The official worldwide dealer
of the Manufacturer!**